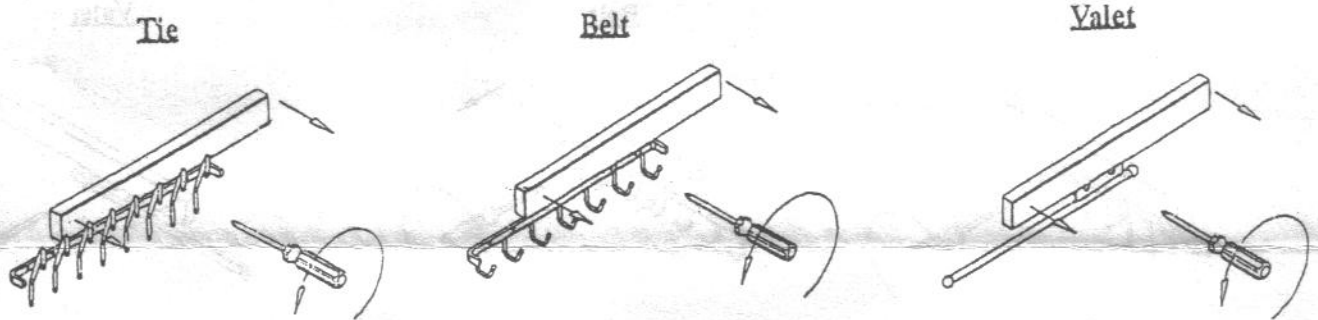


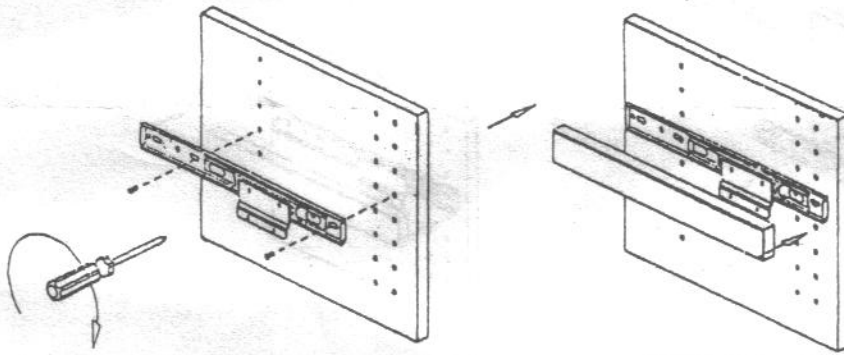
INSTALLATION INSTRUCTION

FOR DELUXE SLIDING TIE RACK, BELT RACK and CLOSET VALET

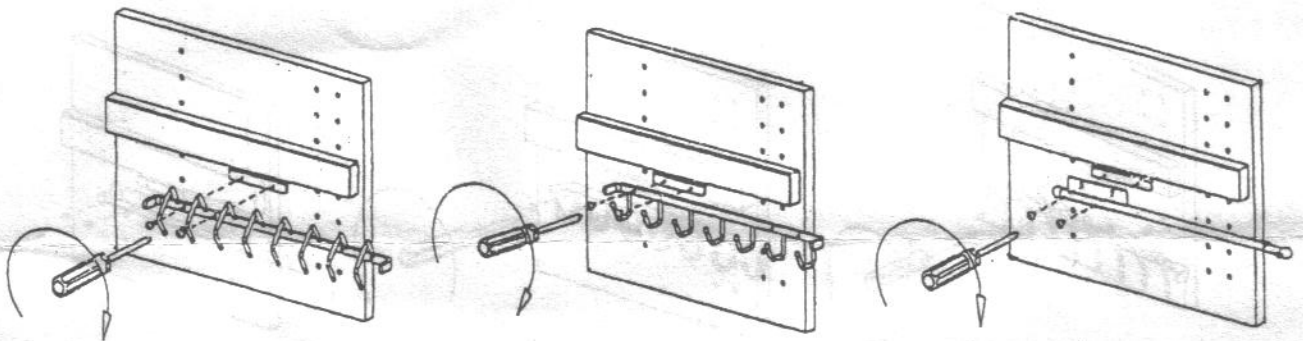
STEP 1: Remove attachment before mounting to partition.



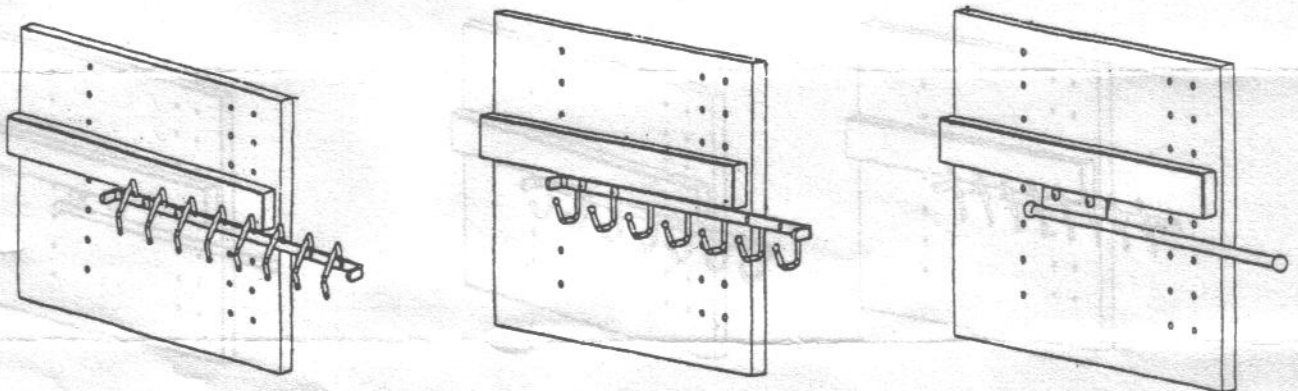
STEP 2: Mount slide base using 2 euro-screws provided, then connect the housing to slide.



STEP 3: Reattach the tie, belt, or valet.



Installation complete.

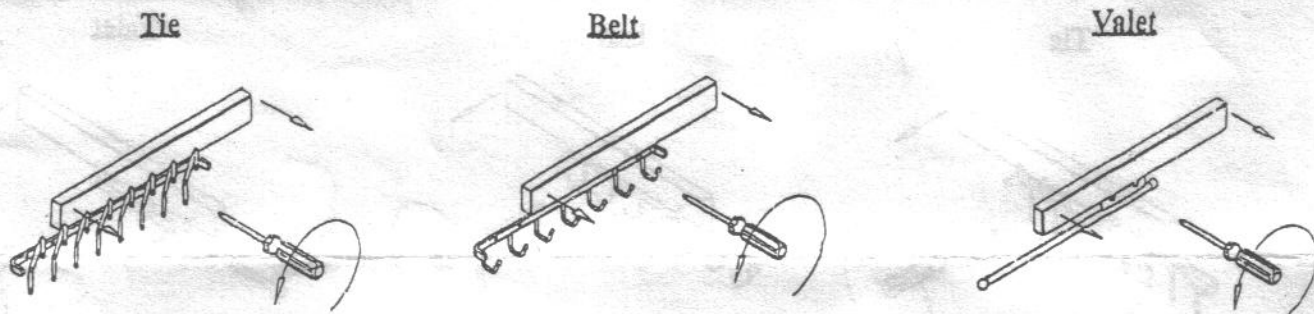


Note: Right side mount shown, Reverse for left side mount.

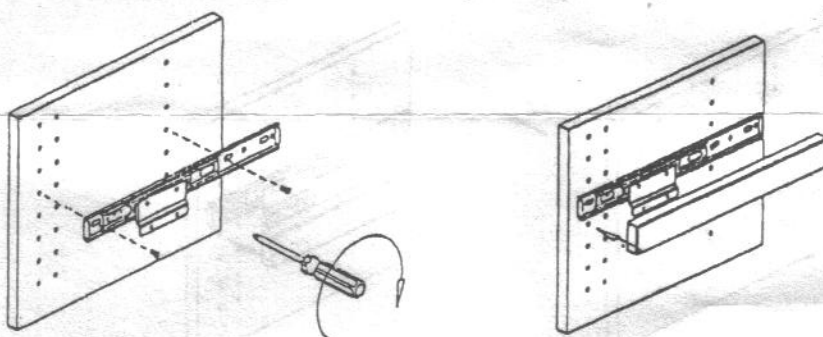
INSTALLATION INSTRUCTION

FOR DELUXE SLIDING TIE RACK, BELT RACK and CLOSET VALET

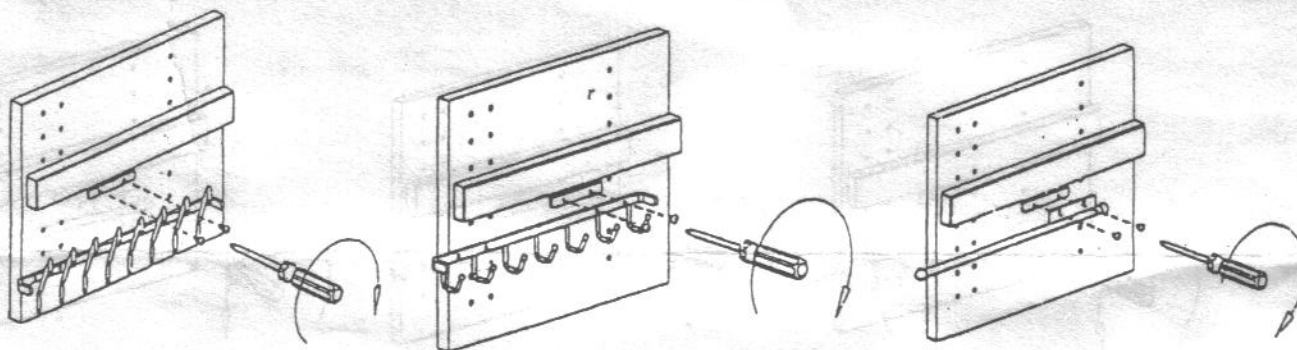
STEP 1: Remove attachment before mounting to partition.



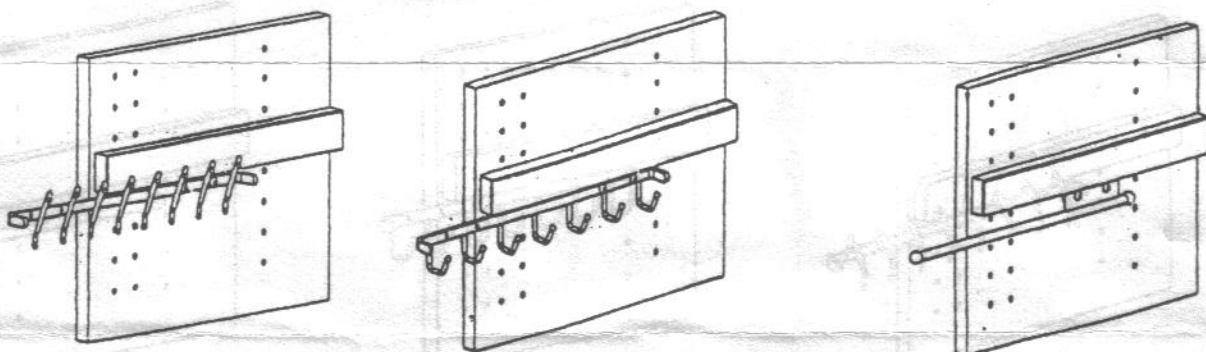
STEP 2: Mount slide base using 2 euro-screws provided, then connect the housing to slide.



STEP 3: Reattach the tie, belt, or valet.



Installation complete.



Note: Left side mount shown, Reverse for right side mount.