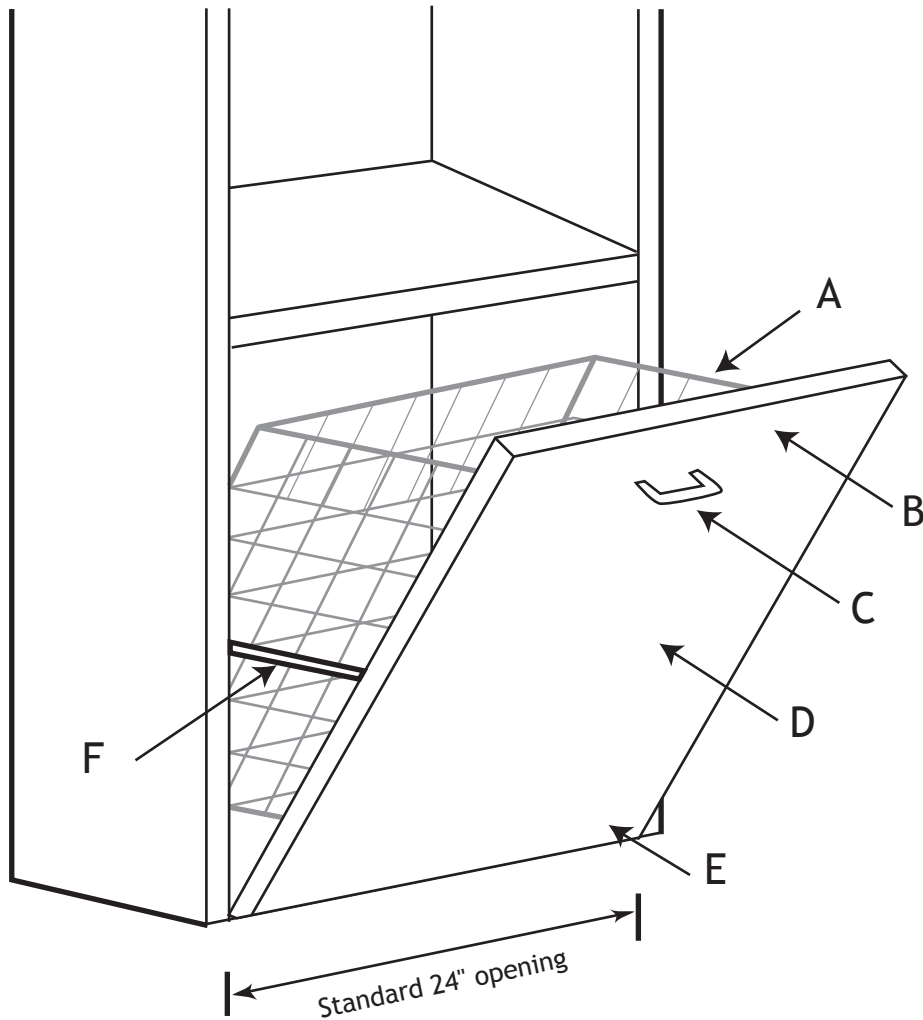


Laundry Hamper



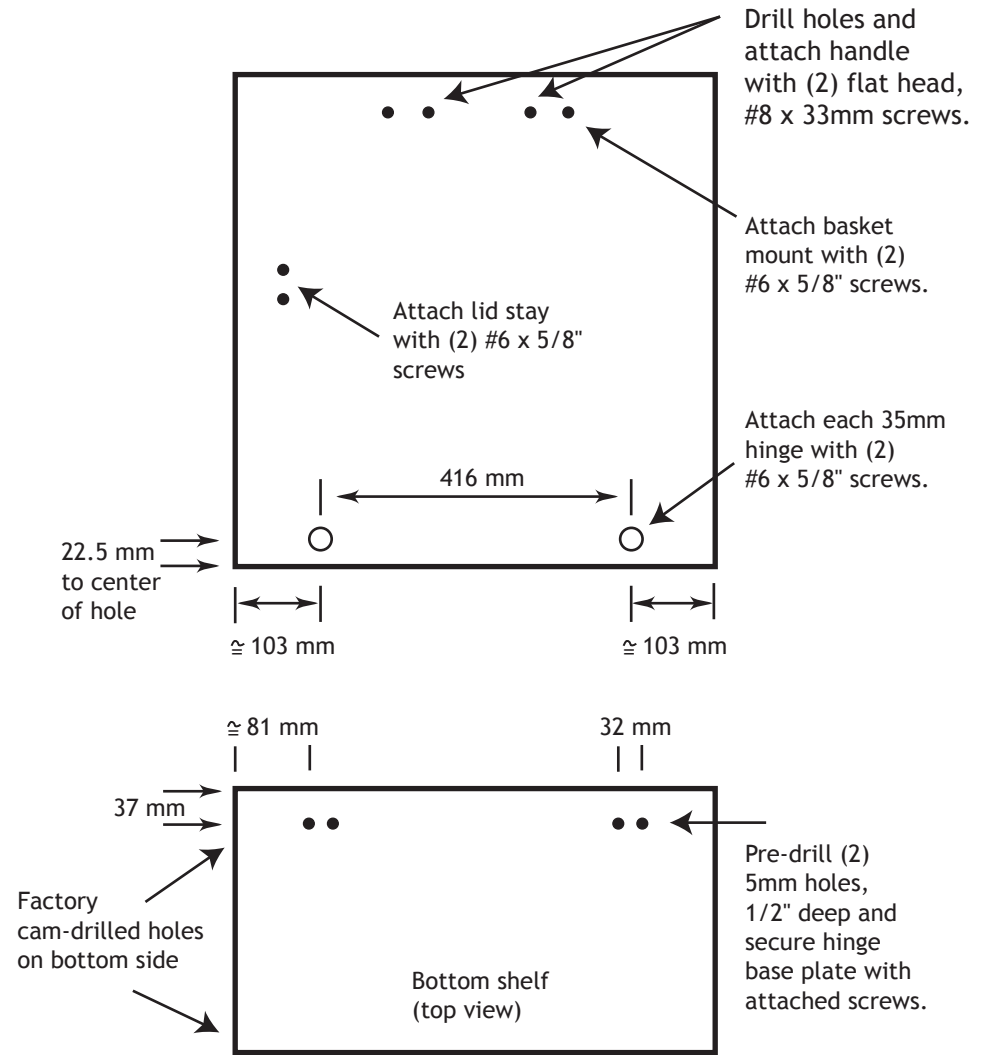
Closet Options Laundry Hamper consists of:

- A. (1) laundry basket
- B. (1) basket mount (inside of panel)
- C. (1) plastic handle / screws
- D. (1) laundry front panel
- E. (2) hinges (inside of panel)
- F. (1) lid stay (slide arm)



© 2003, Closet City LTD

Installation Instructions



Attach opposite end of lid stay to vertical with (2) Euro screws. (Make sure you mount lid stay to vertical so that the basket can still be removed.)

To convert mm to inches, divide mm by 25.4.

For technical questions, call Customer Service at (215) 855-4400, Monday-Friday, 8am - 4pm.